

PLEASE CHECK WWW.MOLEX.COM FOR LATEST PART INFORMATION

Part Number: **0508567125**
Status: **Active**
Description: Ring Tongue Terminal for 10 and 12 AWG, Closed Uninsulated Brazed Barrel, Stud Size M10, Oxygen Free Copper, Length 27.30mm (1.075")

Documents:

[Drawing \(PDF\)](#) [RoHS Certificate of Compliance \(PDF\)](#)
[Product Specification PS-50856-001 \(PDF\)](#)

General

Product Family	Ring and Spade Terminals
Series	50856
Crimp Quality Equipment	Yes
Mil-Spec	N/A
Product Name	R (Ring)
Type	Ring

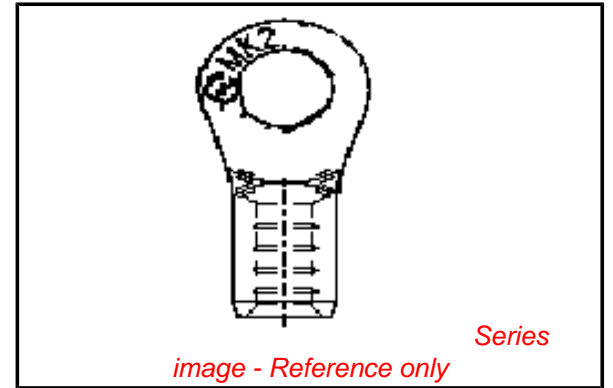
Physical

Barrel Type	Closed - Brazed
Insulation	None
Material - Plating Mating	Tin
Packaging Type	Bag
Plating min: Mating (µin)	40
Plating min: Mating (µm)	1
Plating min: Termination (µin)	40
Plating min: Termination (µm)	1
Stud Size	M10
Termination Interface: Style	Crimp or Compression
Wire Size AWG	10, 12
Wire Size mm ²	2.63 - 6.64

Material Info

Reference - Drawing Numbers

Product Specification	PS-50856-001
Sales Drawing	SD-50856-002



EU RoHS

ELV and RoHS Compliant
REACH SVHC
 Not Reviewed
Halogen-Free
Status

China RoHS



Not Reviewed

Need more information on product environmental compliance?

Email productcompliance@molex.com
 For a multiple part number RoHS Certificate of Compliance, [click here](#)

Please visit the [Contact Us](#) section for any non-product compliance questions.

Search Parts in this Series

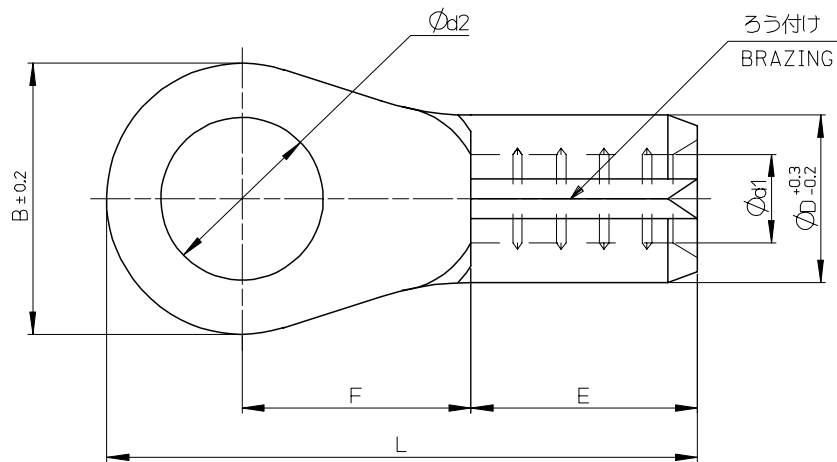
50856Series

Application Tooling | [FAQ](#)

Tooling specifications and manuals are found by selecting the products below. Crimp Height Specifications are then contained in the Application Tooling Specification document.

Japan

Description	Product #
Hand Crimper For JIS Terminal	0572575000
Air Type Hand Crimper For JIS Terminal	0573439005

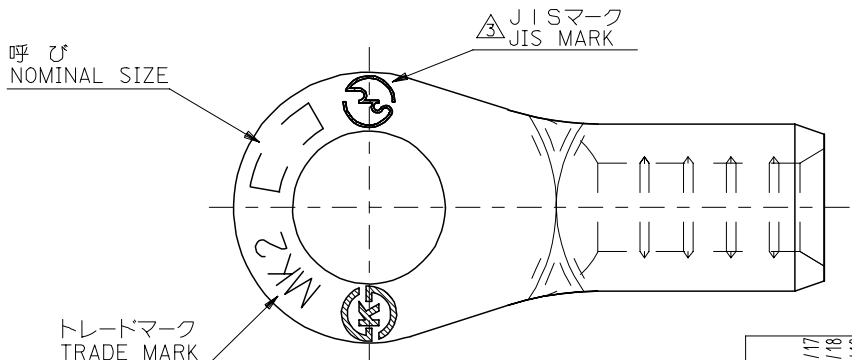


注記 NOTES

- 材質 MATERIAL
 端子：無酸素銅、錫めっき
 TERMINAL: OXYGEN-FREE COPPER, TIN PLATING
 ろう付け部：りん銅ろう
 PART OF BRAZING : COPPER PHOSPHORUS BRAZING FILLER METALS
- 適用電線 APPLICABLE WIRE RANGE

単線 SOLID WIRE	撚線 STRANDED WIRE
1.82-2.89 mm	2.63-6.64 mm ²

△ JIS認定品にのみ刻印。
 DIE STAMPED MARK IS ALLOWED ONLY
 FOR JIS FILED PRODUCTS.



	1 ^{+0.1} _{-0.05}	13 ^{+0.5} _{-0.1}	32 ±0.5	15.7 ±0.5	6.5 ±0.4	3.5 ±0.3		20		12	50856-7225
JIS	0.9 MN	10.5 ^{+0.4} _{-0.1}	28.5 MAX	13.5 MN	6.0 MN	3.4 ±0.2	5.6	15	5.5	10	50856-7126 50856-7125
	1 ^{+0.1} _{-0.05}	4.3 ^{+0.5} _{-0.1}	15.8 ±0.5	5.9 ±0.5	6.5 ±0.4	3.5 ±0.3		7.2		S4	50856-7025
△	t	∅d ₂	L	F	E	∅d ₁	∅D	B	呼 NOMINAL SIZE	∅	ENG. NO.

RELEASED EC NO: J2007-0312 DRW: H.YAJIMA 2007/05/17 CHK: K.KASAHARA 2007/05/18 APPR: NUKITA 2007/05/18	GENERAL TOLERANCES (UNLESS SPECIFIED)	DIMENSION STYLE MM ONLY	SCALE ---	DESIGN UNITS METRIC	THIRD ANGLE PROJECTION
	10 UNDER ± ---	DRAWN BY H. YAJIMA	DATE '06/08/23	TITLE RING TERMINAL	
	10 OVER 30 UNDER ± ---	CHECKED BY K. KASAHARA	DATE '06/08/23	MATERIAL NO. SEE CHART	
	30 OVER ± ---	APPROVED BY N. UKITA	DATE '06/08/23	DOCUMENT NO. SD-50856-002	
0	ANGULAR ± --- °	DRAFT WHERE APPLICABLE MUST REMAIN WITHIN DIMENSIONS		SHEET NO. 1 OF 1	
		THIS DRAWING CONTAINS INFORMATION THAT IS PROPRIETARY TO MOLEX INCORPORATED AND SHOULD NOT BE USED WITHOUT WRITTEN PERMISSION			